



Slotty Quadra



Bocelle quadra	Square face-out fitting	Viereckig- steckhülse- Set	Platine fixation carrée par encastrement
-------------------	-------------------------------	----------------------------------	---

Slotty

SLOTTY QUADRA

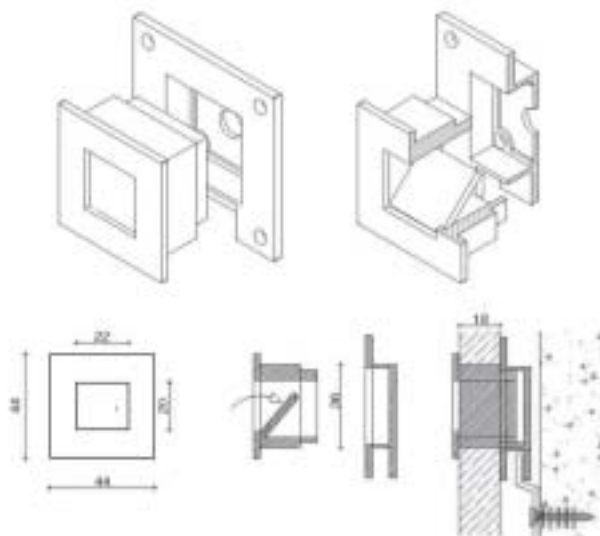
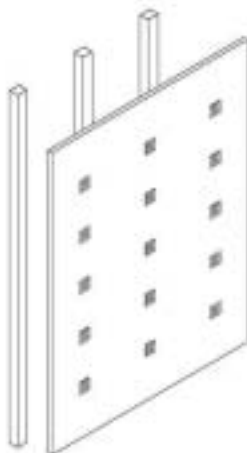
Bocelle quadra
Square face-out fitting
Viereckigsteckhülse-Set
Platine fixation carrée par encastrement



COO.



Art. SB125000G*	44 mm	CL
Art. SB125040Q	44 mm	CO
Art. SB125080Q	44 mm	NS



	CL CR NE	CRANIUM CHROMIUM NICKEL	CHROME MATT CHROME ANODIZED	VERCHROMT MATT VERCHROMT SILICONEST	CHROME MATT CHROME SATINE
		* 011 BEHÖRDE	* BY REQUEST	* ALP ANTIKOR	* 011 BEHÖRDE




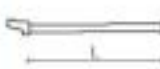
Slotty

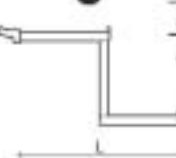
Broche
quadraSquare
face-out
fittingViereckig-
steckhülse-
SetPlatine
fixation
carrée par
encliquetage

1
Broche con pino
Straight arm with pin
Gerader Abhängearm mit Stift
Bras droit avec picot

2
Broche con disco
Straight arm with metal plate
Gerader Abhängearm mit Endscheibe
Bras droit avec disque

3
Broche a gradino
Stepped front arm
Gesutter Abhängearm
Bras à niveau

TYPE	COD.	↔	🔻
1 	Art. SB126100Q*	180 mm	CL
	Art. SB126140Q	180 mm	CO
	Art. SB126160Q	180 mm	NS
	Art. SB126200Q*	260 mm	CL
	Art. SB126240Q	260 mm	CO
	Art. SB126260Q	260 mm	NS
	Art. SB126300Q*	310 mm	CL
	Art. SB126340Q	310 mm	CO
	Art. SB126360Q	310 mm	NS
2 	Art. SB126400Q*	180 mm	CL
	Art. SB126440Q	180 mm	CO
	Art. SB126460Q	180 mm	NS
	Art. SB126500Q*	260 mm	CL
	Art. SB126540Q	260 mm	CO
	Art. SB126560Q	260 mm	NS
	Art. SB126600Q*	310 mm	CL
	Art. SB126640Q	310 mm	CO
	Art. SB126660Q	310 mm	NS

TYPE	COD.	↔	🔻
3 	Art. SB126700Q*	350 mm	CL
	Art. SB126740Q	350 mm	CO
	Art. SB126760Q	350 mm	NS

Boccola quadra	Square face-out fitting	Vierhoekig- steekholes- Set	Platine fixation carrée par encliquetage
-------------------	-------------------------------	-----------------------------------	---

Slotty

BRANCHES

1
Broche inclinée à 7 slots
Curved arm with 7 balls
Schrägsarm mit 7 Kugeln
Bras incliné à 7 boules

2
Broche en arco à 8 slots
Curved arm with 8 balls
Gebogener Abhängarm mit 8 Kugeln
Bras courbe à 8 boules

①



②



TYPE	COD.	↔	💧
------	------	---	---

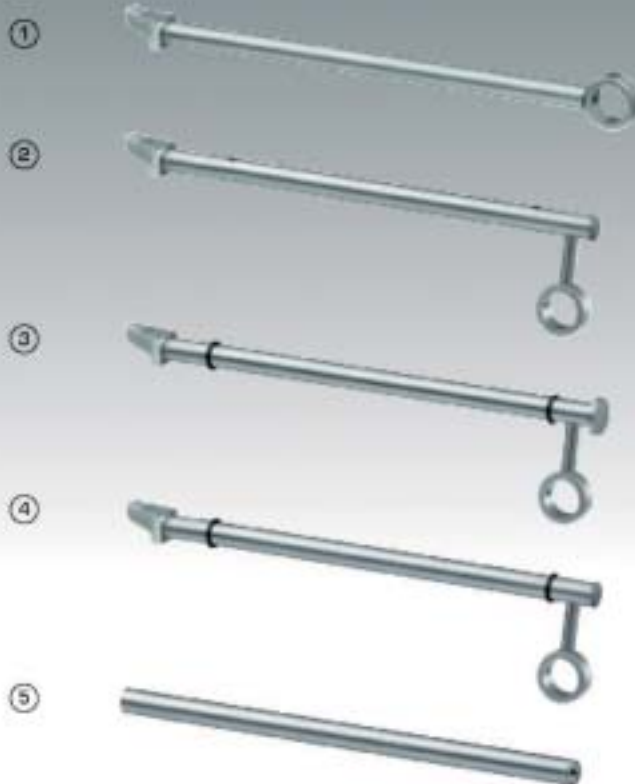
<p>1</p>	Art. SB126800G*	320 mm	CL
	Art. SB126840G	320 mm	CO
	Art. SB126860G	320 mm	NS
<p>2</p>	Art. SB127000G*	350 mm	CL
	Art. SB127040G	350 mm	CO
	Art. SB127080G	350 mm	NS

CL	CRONO LUXCO	CRONO	VERZINKT	CHROME
CO	CRONO SPACO	AMT CHROME	NIET VERZINKT	AMT CHROME
NS	MICHEL SARMED	ROSEL GLASS	DAFNHIT	NIET
	* SUZUKENSA	* OP VERGEEST	* ALP ANTRAGE	* SUR DEMANDE



2013

Slotty

Bacole
quadreSquare
face-out
fittingViereckig-
stachhülse-
SetPlatine
fixation
carrée per
encliquetage

1
Supporto con anello
per tubo appendere
Bracket with ring for hanging bar
Ringensatz für K-Abhänger
Bras support avec boucle
pour barre pendere

2
Supporto mensola in legno con anello
per tubo appendere
Wooden shelf bracket with ring
for hanging rail
Holztischhalter mit Ringensatz
für K-Abhänger
Support pour tablette bois avec boucle
pour barre pendere

3
Supporto con disco per cristallo
con anello per tubo appendere
Glass shelf bracket with ring
for hanging rail
Glashalter mit Ringensatz
für K-Abhänger
Support pour tablette verre
avec boucle pour barre pendere

4
Supporto per cristallo con anello
per tubo appendere
Glass shelf bracket with ring
for hanging rail
Glashalter mit Ringensatz
für K-Abhänger
Support pour tablette verre
avec boucle pour barre pendere

5
Tubo appendere tondo Ø 25 mm
Round tube display bar Ø 25 mm
Konfektionsstange Ø 25 mm
Barre pendere Ø 25 mm

TYPE	COD.	←→	🔧
1 	Art. SB127100G*	350 mm	CL
	Art. SB127140G	350 mm	CO
	Art. SB127160G	350 mm	NS
2 	Art. SB122600G*	310 mm	CL
	Art. SB122640G	310 mm	CO
	Art. SB122660G	310 mm	NS
	Art. SB122700G*	360 mm	CL
	Art. SB122740G	360 mm	CO
3 	Art. SB122800G*	310 mm	CL
	Art. SB122840G	310 mm	CO
	Art. SB122860G	310 mm	NS
	Art. SB122900G*	360 mm	CL
	Art. SB122940G	360 mm	CO
4 	Art. SB123000G*	310 mm	CL
	Art. SB123040G	310 mm	CO
5 	Art. SB123060G	310 mm	NS
	Art. SB123100G*	360 mm	CL
	Art. SB123140G	360 mm	CO
A 	Art. SB112300T*	1000 mm	CL
	Art. SB112340T*	1000 mm	CO
	Art. SB112360T*	1000 mm	NS
B 	Art. SB112400T*	1200 mm	CL
	Art. SB112440T	1200 mm	CO
	Art. SB112460T	1200 mm	NS
A 	Art. SB116100T*	Ø 35 mm	CL
	Art. SB116140T	Ø 35 mm	CO
	Art. SB116160T	Ø 35 mm	NS
B	Art. SB117000T	-	-

TYPE	COD.	←→	🔧
4 	Art. SB123000G*	310 mm	CL
	Art. SB123040G	310 mm	CO
	Art. SB123060G	310 mm	NS
5 	Art. SB123100G*	360 mm	CL
	Art. SB123140G	360 mm	CO
	Art. SB123160G	360 mm	NS
A 	Art. SB112300T*	1000 mm	CL
	Art. SB112340T*	1000 mm	CO
	Art. SB112360T*	1000 mm	NS
B 	Art. SB112400T*	1200 mm	CL
	Art. SB112440T	1200 mm	CO
	Art. SB112460T	1200 mm	NS
A 	Art. SB116100T*	Ø 35 mm	CL
	Art. SB116140T	Ø 35 mm	CO
	Art. SB116160T	Ø 35 mm	NS
B	Art. SB117000T	-	-

Boccola
quadra
 Square
face-out
fitting
 Viereckig-
steckhülse-
Set
 Platine
fixation
carrée per
encliquetage

Slotty

SUPPORTI MENSOLA

1
 Supporto mensola in legno
 Wooden shelf support bracket
 Holztafelhalter
 Support tablette bois

2
 Supporto mensola in cristallo con disco
 Glass shelf support bracket
 with metal plate
 Glashalter
 Support tablette verre avec disque

3
 Supporto mensola in cristallo
 Glass shelf support bracket
 Glashalter
 Support tablette verre

A
 Copriasta per
tubo appenderia
 End-metal cap
for hanging rail
 Abschlusskappe für
Konfektionshängler
 Endbout pour
barre pendulaire

B
 Insetto filezato
per tubo tondo
 Facing threaded nut
for round tube bar
 Rundrohrgewinde
Einsteck
 Insert conique
pour tube rond



TYPE	COD.	↔	🔹
1 	Art. SB125100Q*	310 mm	CL
	Art. SB125140Q	310 mm	CO
	Art. SB125160Q	310 mm	NS
	Art. SB125200Q*	360 mm	CL
	Art. SB125240Q	360 mm	CO
	Art. SB125260Q	360 mm	NS

2 	Art. SB125500Q*	310 mm	CL
	Art. SB125540Q	310 mm	CO
	Art. SB125580Q	310 mm	NS
	Art. SB125600Q*	360 mm	CL
	Art. SB125640Q	360 mm	CO
Art. SB125660Q	360 mm	NS	

TYPE	COD.	↔	🔹
3 	Art. SB125800Q*	310 mm	CL
	Art. SB125840Q	310 mm	CO
	Art. SB125860Q	310 mm	NS
	Art. SB125900Q*	360 mm	CL
	Art. SB125940Q	360 mm	CO
	Art. SB125960Q	360 mm	NS

🔹	CL	GRAN LUCO	GRINE	VERGROET	GRINE
	CO	GRAN OPAC	MAT GRINE	MAT VERGROET	MAT GRINE
	NS	NICKEL BRUNITO	NICKEL GLASSI	OPAK	OPAK
		* SU RICHIESTA	* BY REQUEST	* AUF ANFRAGE	* SUR DEMANDE



Slotty

Bocole
quadraSquare
face-out
fittingViereckig-
abackhülse-
SetPlatine
fixation
carrée per
encliquetage

①



①

Supporto mensola in legno inclinato
Curved wooden shelf support bracket
Schräghölztafelhalter
Support tablette bois incliné

②



②

Morsetto per cristallo
Glass holder clamp
Glasstodenspanner
Fixation tablette verre

TYPE	COD.	↔	🔹
①	Art. SB126000Q*	310 mm	CL
	Art. SB126040Q	310 mm	CO
	Art. SB126060Q	310 mm	NS



TYPE	COD.	↑↓	🔹
②	Art. SB121000Q*	8	CL
	Art. SB121040Q	8	CO
	Art. SB121060Q	8	NS



🔹	CL	CO	NS	CHROME	MITCHROM	CHROME
	CROMO LUCIDO	CROMO	NICKEL	MITCHROM	CHROME	CHROME
	CROMO SPACIO	ABUZZO CRONO	NICKEL BRASS	MIT VESKROUM	MIT VESKROUM	MIT VESKROUM
	NICKEL BRASS	ABUZZO CRONO	NICKEL BRASS	MIT VESKROUM	MIT VESKROUM	MIT VESKROUM
	* SU RICHIESTA	* SU RICHIESTA	* SU RICHIESTA	* SU RICHIESTA	* SU RICHIESTA	* SU RICHIESTA

Boecola
quadra

Square
face-out
fitting

Viereckig-
steckhülse-
Set

Platine
fixation
carrée par
encliquetage

Slotty

BROCHES PER BARRA OVALE

1
Supporto per tubo portabrocche ovale
Bracket for oval tube display bar
Halteungsklemme
für Konfektionsstange
Support pour tube pendere ovale

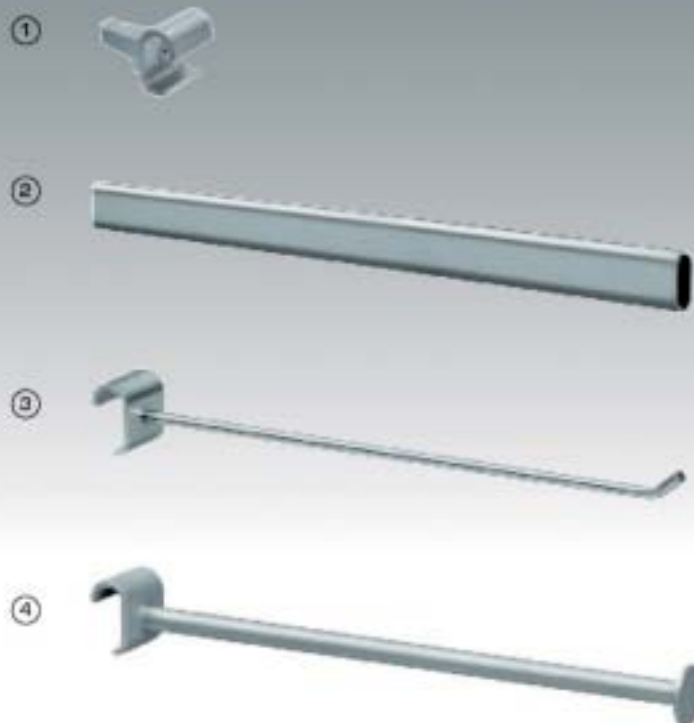
2
Tubo portabrocche ovale 30x15 mm
Oval tube display bar 30x15 mm
Tragestange aus Ovalrohr 30x15 mm
Tube pendere ovale 30x15 mm

3
Brocche tondino Ø 6 mm
Rod arm Ø 6 mm
Hakenarm aus Draht Ø 6 mm
Tige bâlier en Ø 6 mm

4
Brocche tondino Ø 10 mm con disco
Rod arm Ø 10 mm with metal plate
Hakenarm mit Scheibe Ø 10 mm
Tige bâlier en Ø 10 mm avec disque



A
Copri-testa per tubo
portabrocche ovale
End-metal cap
for oval tube
Abchlusskappe
für Tragestange
Endbut pour tube
pendere ovale



TYPE	COD.	↔	Ø	🔻	TYPE	COD.	↔	Ø	🔻
1 	Art. SB127200G*	-	30x6	CL	2 	Art. SB114300T*	1000 mm	30x6	CL
	Art. SB127240G	-	30x6	CO		Art. SB114340T*	1000 mm	30x6	CO
	Art. SB127280G	-	30x6	NS		Art. SB114380T*	1000 mm	30x6	NS
3 	Art. SB113600T*	150 mm	6	CL		Art. SB114400T*	1200 mm	30x6	CL
	Art. SB113640T	150 mm	6	CO		Art. SB114440T	1200 mm	30x6	CO
	Art. SB113680T	150 mm	6	NS		Art. SB114480T	1200 mm	30x6	NS
	Art. SB113700T*	200 mm	6	CL	A 	Art. SB113500T*	-	30x6	CL
	Art. SB113740T	200 mm	6	CO		Art. SB113540T	-	30x6	CO
	Art. SB113780T	200 mm	6	NS		Art. SB113580T	-	30x6	NS
	Art. SB113800T*	250 mm	6	CL		4 	Art. SB114000T*	250 mm	10
	Art. SB113840T	250 mm	6	CO	Art. SB114040T		250 mm	10	CO
	Art. SB113880T	250 mm	6	NS	Art. SB114080T		250 mm	10	NS
	Art. SB113900T*	300 mm	6	CL	Art. SB114100T*		300 mm	10	CL
Art. SB113940T	300 mm	6	CO	Art. SB114140T	300 mm		10	CO	
Art. SB113980T	300 mm	6	NS	Art. SB114180T	300 mm		10	NS	
Art. SB113900T*	300 mm	6	CL	Art. SB114200T*	350 mm		10	CL	
Art. SB113940T	300 mm	6	CO	Art. SB114240T	350 mm		10	CO	
Art. SB113980T	300 mm	6	NS	Art. SB114280T	350 mm		10	NS	



2017