



Slotty Tonda

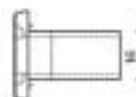


Boccola tonda a scatto
Round face-out fitting
Rundsteckhülse
Platine fixation ronde par encliquetage

Art. SB101100T
Piastra di supporto Ø 60 mm
con 4 fori avessati
Metal plate support Ø 60 mm
with 4 countersunk holes
Klemmplatte Ø 60 mm mit 4 Locher
Plaque support Ø 60 mm avec 4 trous

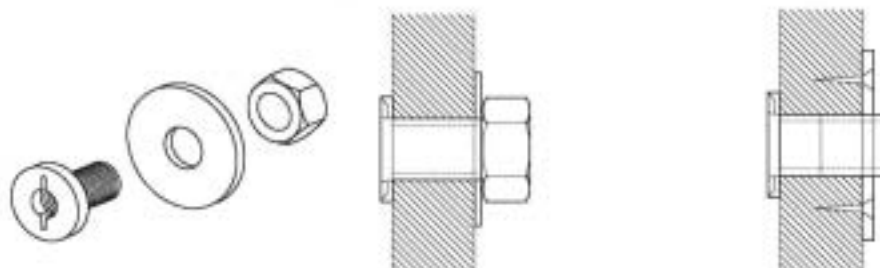


COD.	Ø	🔸
Art. SB101000T*	30 mm	CL
Art. SB101040T	30 mm	CO
Art. SB101060T	30 mm	NS
<hr/>		
Art. SB101100T*	60 mm	-



Sistema di fissaggio standard
Standard Fixing system
Standard Befestigungssystem
Système de fixation standard

Sistema di fissaggio con SB101100T
Fixing system with SB101100T
Befestigungssystem auf SB101100T
Système de fixation avec SB101100T



🔸	CL: BRASS LUGOZ	CR: CRONO	VC: VERCHROMT	CH: CRONO
	CO: BRASS BRUNO	MC: MATT CHROME	MT: MATT VERCHROMT	MC: MATT CHROME
	NS: NICKEL SATINATO	NG: NICKEL GLAZED	GR: GRINDITO	SA: SAINE
	* SU RICHIESTA	* BY REQUEST	* AUF ANFRAGE	* SUR DEMANDE



Slotty

Broche
tondaRound
face-out
fittingRundbock
hulsePlatine
fixation
ronde

①



①

Broche con perno
Straight arm with pin
Gerader Abhängarm mit Stift
Bras droit avec pivot

②



②

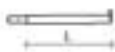
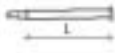
Broche con disco
Straight arm with metal plate
Gerader Abhängarm mit Endscheibe
Bras droit avec disque

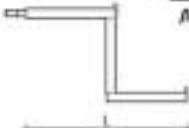
③



③

Broche a gradino
Stepped front arm
Gesulzter Abhängarm
Bras à niveau

TYPE	COD.	↔	💧
① 	Art. SB111200T*	180 mm	CL
	Art. SB111240T	180 mm	CO
	Art. SB111260T	180 mm	NS
	Art. SB111300T*	260 mm	CL
	Art. SB111340T	260 mm	CO
	Art. SB111360T	260 mm	NS
	Art. SB111400T*	310 mm	CL
	Art. SB111440T	310 mm	CO
	Art. SB111460T	310 mm	NS
② 	Art. SB111500T*	180 mm	CL
	Art. SB111540T	180 mm	CO
	Art. SB111560T	180 mm	NS
	Art. SB111600T*	260 mm	CL
	Art. SB111640T	260 mm	CO
	Art. SB111660T	260 mm	NS
	Art. SB111700T*	310 mm	CL
	Art. SB111740T	310 mm	CO
	Art. SB111760T	310 mm	NS

TYPE	COD.	↔	💧
③ 	Art. SB111800T*	350 mm	CL
	Art. SB111840T	350 mm	CO
	Art. SB111860T	350 mm	NS

Boccola
tonda

Round
face-out
fitting

Furdtack-
hülse

Platine
fixation
ronde

Slotty

BROCHES

1
Broche inclinata a 7 sfere
Curved arm with 7 balls
Schrägarm mit 7 Kugeln
Bras incliné a 7 boules

2
Broche ad arco a 8 sfere
Curved arm with 8 balls
Gebogener Aohängearm mit 8 Kugeln
Bras courbe a 8 boules

3
Appendente traversa per pesi leggeri
Side hanging rail for light items
Konfektionsabhängiger für Leichtwaren
Barre pendente marchandise légère

①

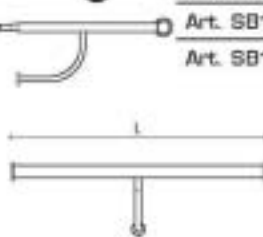
②

③



TYPE	COD.	↔	💧
1 	Art. SB111900T*	320 mm	CL
	Art. SB111940T	320 mm	CO
	Art. SB111980T	320 mm	NS

TYPE	COD.	↔	💧
2 	Art. SB112100T*	350 mm	CL
	Art. SB112140T	350 mm	CO
	Art. SB112180T	350 mm	NS

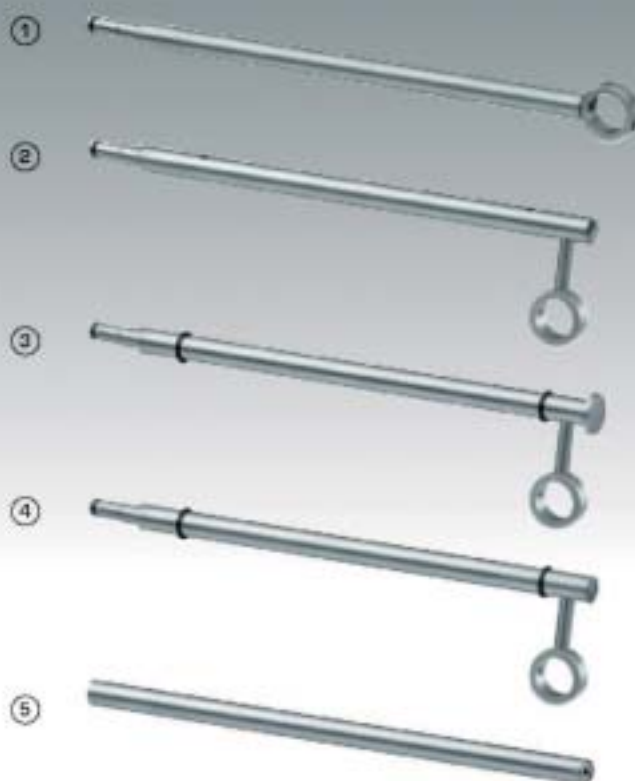
3 	Art. SB112200T*	500 mm	CL
	Art. SB112240T	500 mm	CO
	Art. SB112280T	500 mm	NS

💧	CL	CRIMÉ LIGÉRE	CRVSMÉ	VERCHREMT	CRIME
	CO	CRIMÉ CRÉDÉ	ARIT CRVSMÉ	MIT VERCHREMT	MIT CRIME
	NS	NIÉEL SAKINÉD	ARDEL GLAZÉD	SATWÉIT	SÉINE

* OUTRICHITA * BY REQUEST * ALP ANPAKE * BELGIUMANCE



Slotty

Bacole
tondeRound
face-out
fittingRundsteck-
hülsePlatine
fixation
ronde

1
Supporto con anello
per tubo appendere
Bracket with ring for hanging bar
Ringensatz für K-Abhänger
Bras support avec boucle
pour barre pendere

2
Supporto mensola in legno con anello
per tubo appendere
Wooden shelf bracket with ring
for hanging rail
Holzabhalter mit Ringensatz
für K-Abhänger
Support pour tablette bois avec boucle
pour barre pendere

3
Supporto con disco per cristallo
con anello per tubo appendere
Glass shelf bracket with ring
for hanging rail
Glashalter mit Ringensatz
für K-Abhänger
Support pour tablette verre
avec boucle pour barre pendere

4
Supporto per cristallo con anello
per tubo appendere
Glass shelf bracket with ring
for hanging rail
Glashalter mit Ringensatz
Support pour tablette verre
avec boucle pour barre pendere

5
Tubo appendere tondo Ø 25 mm
Round tube display bar Ø 25 mm
Konfektionstange Ø 25 mm
Barre pendere Ø 25 mm

TYPE	COD.	←→	🔹
1 	Art. SB113200T*	350 mm	CL
	Art. SB113240T	350 mm	CO
	Art. SB113280T	350 mm	NS
2 	Art. SB112600T*	310 mm	CL
	Art. SB112640T	310 mm	CO
	Art. SB112680T	310 mm	NS
	Art. SB112700T*	360 mm	CL
	Art. SB112740T	360 mm	CO
	Art. SB112780T	360 mm	NS
3 	Art. SB112800T*	310 mm	CL
	Art. SB112840T	310 mm	CO
	Art. SB112880T	310 mm	NS
	Art. SB112900T*	360 mm	CL
	Art. SB112940T	360 mm	CO
	Art. SB112980T	360 mm	NS

TYPE	COD.	←→	🔹
4 	Art. SB113000T*	310 mm	CL
	Art. SB113040T	310 mm	CO
	Art. SB113080T	310 mm	NS
	Art. SB113100T*	360 mm	CL
5 	Art. SB113140T	360 mm	CO
	Art. SB113180T	360 mm	NS
	Art. SB112300T*	1000 mm	CL
5	Art. SB112340T*	1000 mm	CO
	Art. SB112380T*	1000 mm	NS
	Art. SB112400T*	1200 mm	CL
	Art. SB112440T	1200 mm	CO
	Art. SB112480T	1200 mm	NS
	A 	Art. SB116100T*	Ø 35 mm
Art. SB116140T		Ø 35 mm	CO
Art. SB116180T		Ø 35 mm	NS
D	Art. SB117000T	-	-

Boccola tonde	Round face-out fitting	Rundstreck- hülse	Platine fixation ronde
------------------	------------------------------	----------------------	------------------------------

Slotty

SUPPORTI MENSOLA

1
Supporto mensola in legno
Wooden shelf support bracket
Holztafelhalter
Support tablette bois

2
Supporto mensola in cristallo con disco
Glass shelf support bracket
with metal plate
Glashalter mit Endscheibe
Support tablette verre avec disque

3
Supporto mensola in cristallo
Glass shelf support bracket
Glashalter
Support tablette verre

A
Copri-testa per tubo appendere
End-metal cap
for side hanging rail
Abschlusskappe für
Konfektionsträger
Endcap pour
barre pendrive

B
Inserito filettato per tubo tondo
Facing threaded nut
for round tube bar
Flanschringgewinde
Einsetz
Insert conique
pour tube rond



TYPE	COD.	↔	💧
1 	Art. SB102000T*	310 mm	CL
	Art. SB102040T	310 mm	CO
	Art. SB102080T	310 mm	NS
	Art. SB103000T*	360 mm	CL
	Art. SB103040T	360 mm	CO
	Art. SB103080T	360 mm	NS

2 	Art. SB105000T*	310 mm	CL
	Art. SB105040T	310 mm	CO
	Art. SB105080T	310 mm	NS
	Art. SB108000T*	360 mm	CL
	Art. SB108040T	360 mm	CO
	Art. SB108080T	360 mm	NS

TYPE	COD.	↔	💧
3 	Art. SB107000T*	310 mm	CL
	Art. SB107040T	310 mm	CO
	Art. SB107080T	310 mm	NS
	Art. SB108000T*	360 mm	CL
	Art. SB108040T	360 mm	CO
	Art. SB108080T	360 mm	NS

CL	GRAND LUXE	CHROME	VERCHROME	SHINE
CO	GRAND FACÉ	ANTI CHROME	ANTI VERCHROME	ANTI CHROME
NS	NÉPHÉLIS	VERGLAS	STRIBEL	GLASS

* SU RICHIESTA * BY REQUEST * ALY AVANCE * SUR DEMANDE



Slotty

Boccola
tondeRound
brace-out
fittingRundsteck-
hülsePlatine
fixation
ronde

1
Supporto mensola in legno inclinata
per tubo appendere
Curved wooden shelf support bracket
Eckhölztafelhalter
Support tablette bois incline



2
Morsetto per cristallo
Glass holder clamp
Glasbodenklammer
Fixation tablette verre

TYPE	COD.	↔	🔹
1	Art. SB109000T*	310 mm	CL
	Art. SB109040T	310 mm	CO
	Art. SB109080T	310 mm	NS



TYPE	COD.	↑	🔹
2	Art. SB111000T*	8	CL
	Art. SB111040T	8	CO
	Art. SB111080T	8	NS



🔹	CL	CO	NS	CHROME	VERCHROMT	CHROME
	STAINL LEUZE	STAINL SPACI	NICHEL SATINAT	AMT LAGERS	NICHEL GLAZED	MIT VERCHROMT
						ANTY CORROZ

* SU RICHIESTA

* IN RIBADITA

* ALI ARMIATA

* SU RICHIESTA

Broche tonda
Round
face-out
fitting

Rundetack-
hülse

Platine
fixation
ronde

Slotty

BROCHES PER BARRA OVALE

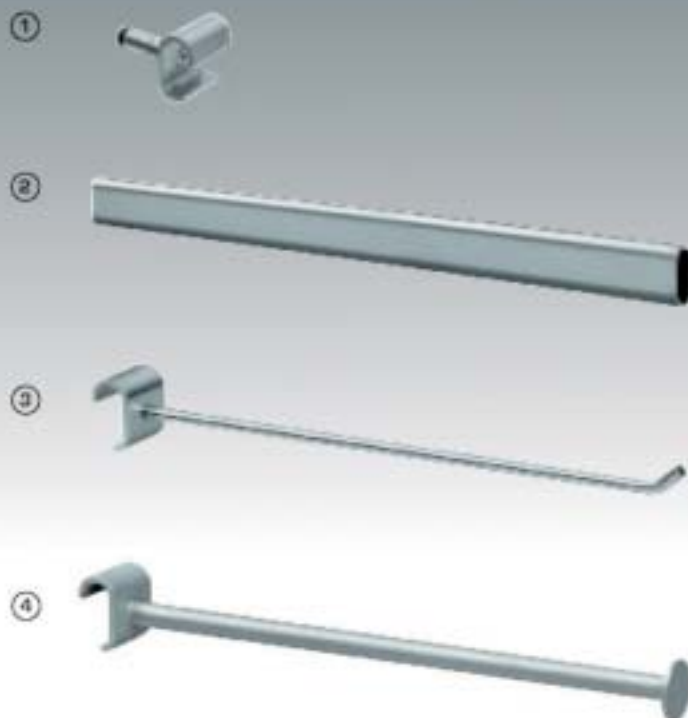
1
Supporto per tubo portabrocche ovale
Bracket for oval tube display bar
Halterungsklemme
für Karfektionestange
Support pour tube pendente ovale

2
Tubo portabrocche ovale 30x15 mm
Oval tube display bar 30x15 mm
Tragestange aus Ovalrohr 30x15 mm
Tube pendente ovale 30x15 mm

3
Broche tondino Ø 6 mm
Rod arm Ø 6 mm
Hakenarm aus Draht Ø 6 mm
Tige à braser en M Ø 6 mm

4
Broche tondino Ø 10 mm con disco
Rod arm Ø 10 mm with metal plate
Hakenarm mit Scheibe Ø 10 mm
Tige à braser en M Ø 10 mm avec disque

A
Copriasta per tubo
portabrocche ovale
Endmetal cap
for oval tube
Abschlusskappe
für Tragestange
Embout pour tube
pendente ovale



TYPE	COD.	↔	Ø	🔧	TYPE	COD.	↔	Ø	🔧
	Art. SB113300T*	-	30x6	CL		Art. SB114300T*	1000 mm	30x6	CL
	Art. SB113340T	-	30x6	CO		Art. SB114340T*	1000 mm	30x6	CO
	Art. SB113360T	-	30x6	NS		Art. SB114380T*	1000 mm	30x6	NS
				Art. SB114400T*		1200 mm	30x6	CL	
				Art. SB114440T		1200 mm	30x6	CO	
				Art. SB114480T		1200 mm	30x6	NS	
	Art. SB113600T*	150 mm	6	CL		Art. SB113500T*	-	30x6	CL
	Art. SB113640T	150 mm	6	CO		Art. SB113540T	-	30x6	CO
	Art. SB113660T	150 mm	6	NS		Art. SB113580T	-	30x6	NS
	Art. SB113700T*	200 mm	6	CL		Art. SB114000T*	250 mm	10	CL
	Art. SB113740T	200 mm	6	CO		Art. SB114040T	250 mm	10	CO
	Art. SB113780T	200 mm	6	NS		Art. SB114080T	250 mm	10	NS
	Art. SB113800T*	250 mm	6	CL		Art. SB114100T*	300 mm	10	CL
	Art. SB113840T	250 mm	6	CO		Art. SB114140T	300 mm	10	CO
	Art. SB113880T	250 mm	6	NS		Art. SB114180T	300 mm	10	NS
Art. SB113900T*	300 mm	6	CL	Art. SB114200T*	350 mm	10	CL		
Art. SB113940T	300 mm	6	CO	Art. SB114240T	350 mm	10	CO		
Art. SB113980T	300 mm	6	NS	Art. SB114280T	350 mm	10	NS		

